

**PMB 7 SP / CP**

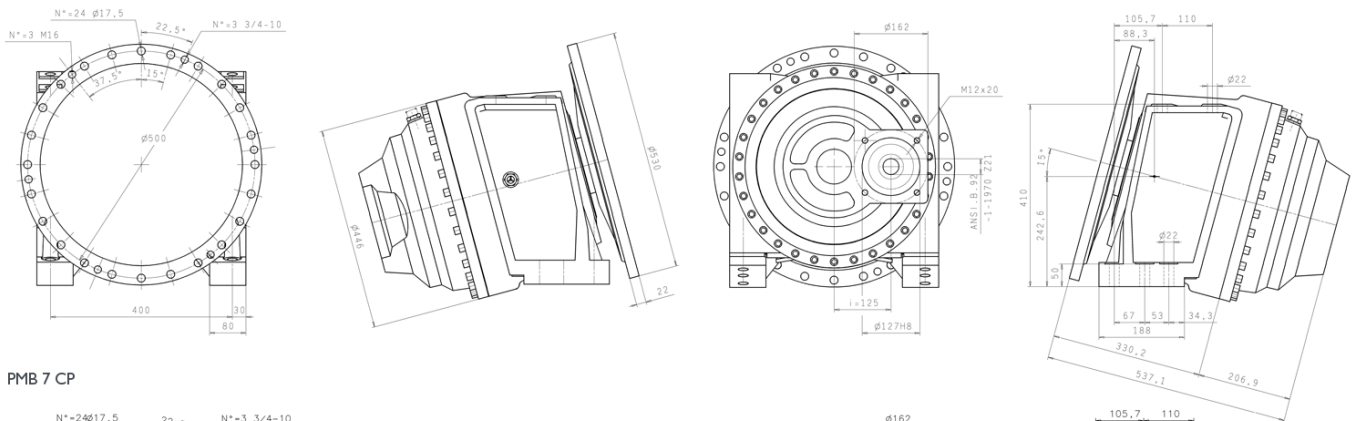


**Technical Data**

	<b>PMB 7 SP (without water pump connection)</b>	<b>PMB 7 CP (with water pump connection)</b>
Maximum Output Torque	70.000 Nm	70.000 Nm
Reduction Ratio	1 : 121.6 or 1 : 129.1	1 : 121.6 or 1 : 129.1
Maximum Input Speed	2.500 rpm	2.500 rpm
Weight	330 kg	335 kg
Oil Quantity	15 l	15 l
Oil type	SAE 85W90 / EP4 or EP5	SAE 85W90 / EP4 or EP5
Maximum flange misalignment	+/- 6°	+/- 6°
Drum capacity	10 - 12 m <sup>3</sup>	10 - 12 m <sup>3</sup>

**Technical Drawing**

PMB 7 SP



PMB 7 CP

